

**INSTRUCTION MANUAL  
MODEL: KT-9901**

**Basic corded phone with flash,redial**



Before operating this instrument please read the instruction manual carefully. Keep the manual for future reference.

**INTRODUCTION**

Thank you for purchasing a Kingtel product which adopts excellent workmanship and exceptional reliability.

Your telephone is designed to give you flexibility in use and high quality performance. To get the most from your new telephone, we suggest that you take a few minutes to read through this instruction manual to familiarize yourself with all the features of the product.

The product is guaranteed for 12 months from the date of purchase shown on your sales receipt. The guarantee does not cover damage caused by misuse or negligence or by excessive voltage. For example, faults on the telephone line or lightning.

**IMPORTANT SAFETY INSTRUCTIONS**

When operating your telephone instrument, basic safety precautions should always be followed to reduce the risk of fire, electric shock or injury to Persons.

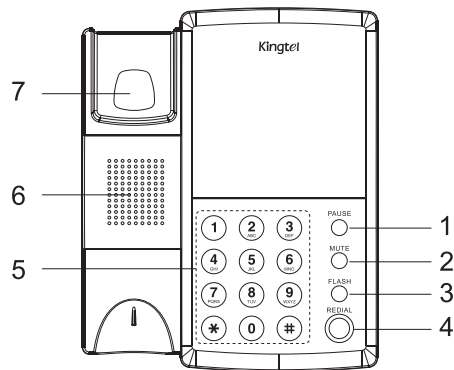
1. Follow all warnings and instructions.
2. Unplug this product from the wall outlet before cleaning. Do not use Liquid cleaning materials nor aerosol.. Use a damp cloth for cleaning.
3. Do not use this product near water.(i.e. Near a bathtub,kitchen sink,washing machine,in a wet basement, or near a swimming pool). Avoid spilling liquid on the product.
4. Do not place this product on an unstable cart,stand, or table.The product may drop, causing serious damage to the product or injury to persons.
5. Do not allow any object to rest on the telephone cord. Stow the line cord in a way that it can not cause injury to persons or damage to the line cord.
6. Never push foreign objects of any kind into the product as it may touch dangerous voltage points or short out parts that could result in fire or electrical shock.
7. To reduce the risk of electric shock, do not disassemble this product. Submit it to a qualified service authority if service or repair work is required.Opening or removal of the cover may expose you to dangerous voltage points. Incorrect reassembly can cause electric shock when operating the instrument.
8. Adjust only the controls that are covered by this instruction manual. Improper adjustment of controls may result in damage that could require extensive work by a qualified technician.
9. Refer servicing to a qualified technician if the following should occur:

- When the phone line or plug is damaged or frayed.
  - If liquid has been spilled into the product.
  - If the product has been exposed to rain or water.
  - If the product does not operate normally by following the operating instructions.
  - If the product has been dropped or the cabinet has been damaged.
  - If the product exhibits a distinct change in performance.
10. Avoid using a telephone during an electrical storm. There may be a risk of Electric shock from lighting.
  11. Do not use the telephone in the vicinity of a gas leak.
  12. The handset receiver may retain dangerous materials such as metallic pins And staples because the receiver is magnetic.
  13. Do not overload wall outlets and extension cords as this can result in electric shock or fire.
  14. Connect all leads / cords to the intended sockets.

## PRODUCT FEATURES

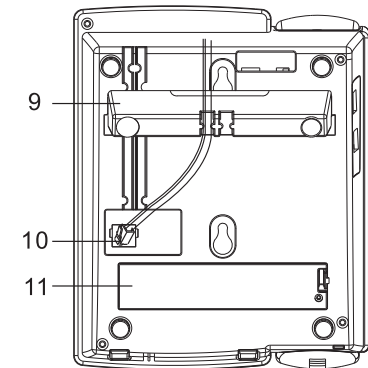
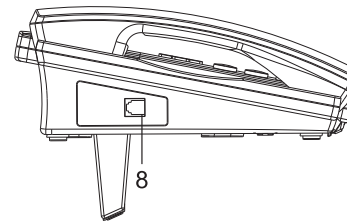
1. Compatible with all renowned PBX brands
2. Last number redial
3. Flash time 100ms preset
4. Mute function
5. Pause function
6. Selectable ringer volume (Hi/Low/Off)
7. Unique stand for easy operation

## LOCATION AND DESCRIPTION OF CONTROLS



3

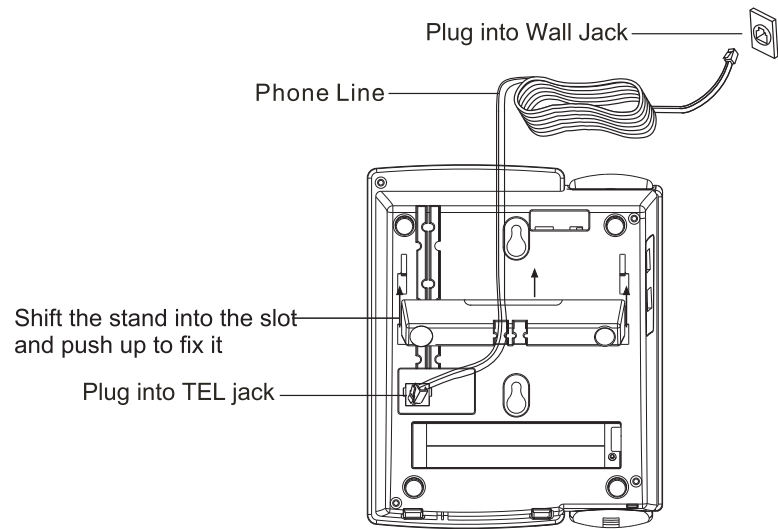
1. Pause.....In dialing status,press for a break of 3.6 seconds.
2. Mute.....Press and hold the key to mute the microphone.
3. Flash.....For use behind a PBX system to transfer/intercom.
4. Redial.....Press to dial the last dialed number.
5. Dial Pad(0-9, \*,#).....Dial numbers and extension.
6. Speaker.....Ring tone is transmitted from the speaker.
7. Hook On/Off Switch.....To end a call or to initiate a call.
8. Handset Jack.....Plug in the one end of the curly cord
9. Stand.....Removable.
10. Line cord jack.....Connects telephone to wall jack,by means of line cord.
11. Battery Compartment.....Not in use for this model.



## INSTALLATION

1. Connect one end of the curly cord to the handset jack and connect the other end to the jack on the base of the telephone .
2. Plug one end of the phone line into the line cord jack on the telephone base and connect the other end to the wall jack.

4



## OPERATION

1. Place a call: Pick up the handset, receive dial tone and dial the number.
2. Answer a call: Pick up the handset to answer the call.
3. End a call: Hang up the handset to end the call.
4. Redial: Pick up the handset, press **REDIAL** to redial the last dialed number.
5. Flash: Used for line transfer or intercom behind a PBX systems.
6. Mute: Press and hold the mute key to mute the telephone's microphone.  
The other party will not be able to hear you but you will still be able to hear their conversation. To restore both way conversation, release the mute button.
7. Pause: Press **PAUSE** for a break off of 3.6 seconds during dialing.

## TROUBLE SHOOTING GUIDE

SYMPTOM	CAUSE AND REMEDY
NO DIAL TONE/PHONE IS DEAD	Check the hook switch and make sure it pops-up. Check that the line cord from the wall jack is plugged in properly. Check that all connectors are firmly inserted in the intended sockets.
RINGER VOLUME TOO LOW	Check the ringer volume setting if set on low.
PHONE DOES NOT RING	Check the phone line cord. Could have too many phones on one line (the total REN of all phones should not be more than the maximum for your area, usually 5)
LAST NUMBER REDIAL NOT WORKING ON A PABX	When you first make a call try pressing the Pause Button for a pause between the outside line access digit (eg: 9 or 0) and the telephone number, you should later be able to redial the number. If your PABX requires you to wait for a second dial tone before dialing the telephone number, press the Pause Button for a pause between the access digit and number.